



Model # 37M200

Box Width = 164 " Double wide No Offset Box
 Box Length = 64 ft. 95.5" 12" MIN. IBEAM No Clerestory
 No Skylights No Origami Dormer
 No Porches No Sunken Floor
 Joist Size = #2 spf 2x6 Lags 9Mx3" No Parapet Roof

Minimum Joist Spacing 16 "

Version R13.19

Wind Zone 1 Standard Roof Ceiling board only [152 plf] Chords: 2x4 SPF Stud Top Plate & 1x3 SPF Rail. Each spliced w/2x4 MCP. 96 inch sidewall
Diaphragm Construction:

Shearwall	Dist./ Hitch	Length	PLF	# of Joists	Lags	Notes
A	0'	64"	162	2	1/1	
B	28.38'	144"	162	2	2/1	
C	64'	80"	162	2	1/1	

Wind Zone 2 Standard Roof (3/8" sheathing only with 15 gax 1.5" at 5"/10" oc. (197 plf) Chords: 2x4 SPF Stud Top Plate & 1x3 SPF Rail. Each spliced w/2x4 MCP. 96 inch sidewall
Diaphragm Construction:

Shearwall	Dist./ Hitch	Length	PLF	# of Joists	Lags	Notes
A	0'	Full	425	2	5/5	
B	28.38'	Full	425	2	3/3	
C	64'	Full	425	2	5/5	

Wind Zone 3 Standard Roof (3/8" sheathing only with 15 gax 1.5" at 5"/10" oc. (197 plf) Chords: 2x4 SPF Stud Top Plate & 1x3 SPF Rail. Each spliced w/2x4 MCP. 96 inch sidewall
Diaphragm Construction:

Shearwall	Dist./ Hitch	Length	PLF	# of Joists	Lags	Notes
A	0'	Full	425	2	5/5	
B	28.38'	Full	515	2	4/4	
C	64'	Full	425	2	5/5	

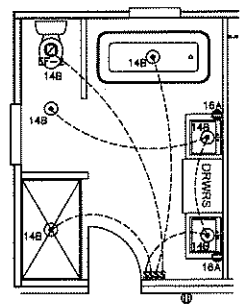
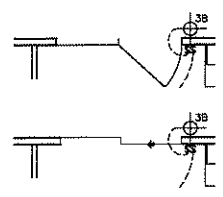
Wind Zone 1 Standard Roof (3/8" sheathing only with 15 gax 1.5" at 5"/10" oc. (197 plf) Chords: 2x4 SPF Stud Top Plate & 1x3 SPF Rail. Each spliced w/2x4 MCP. 96 inch sidewall
Diaphragm Construction:

Shearwall	Dist./ Hitch	Length	PLF	# of Joists	Lags	Notes
A	0'	144"	162	2	2/1	
C	64'	144"	162	2	2/1	

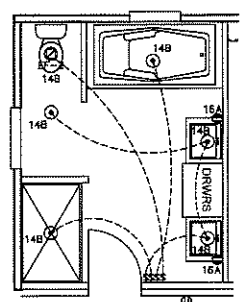
APPROVED HWG APPROVED

30 NOV 2021
 FP-28-5496
 Federal Manufactured Home Construction And Safety Standards

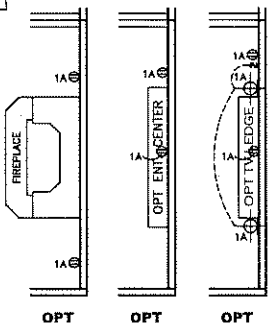
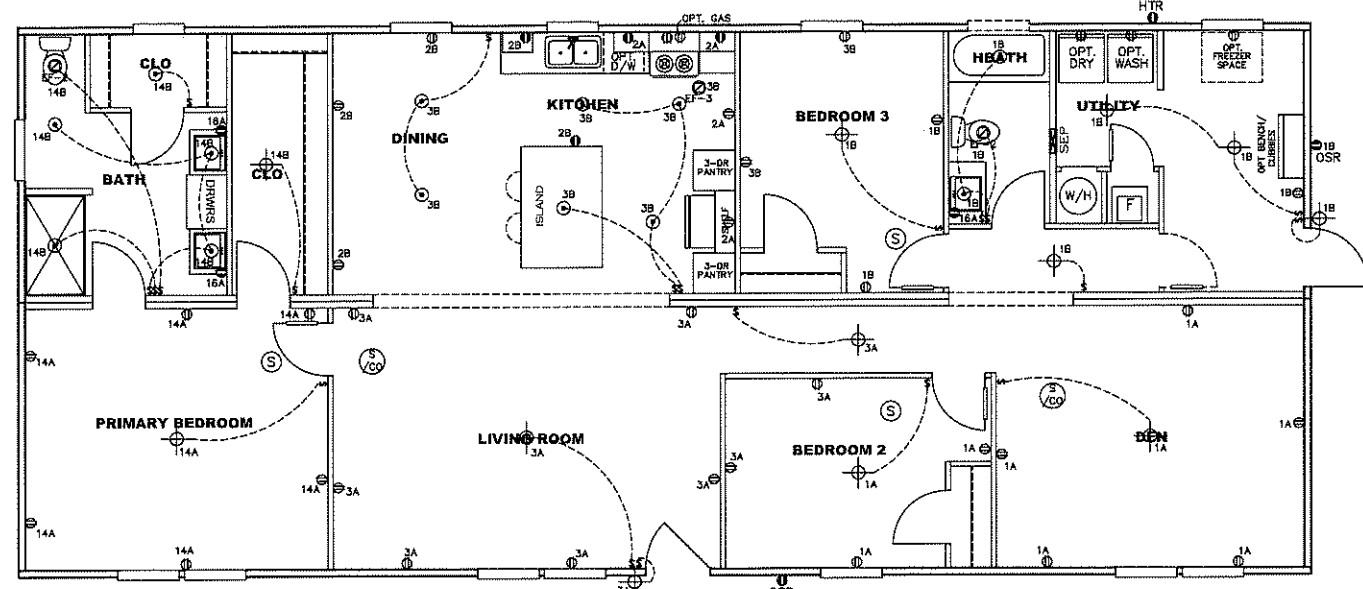
1749 SQ.FT. (STD PLAN "CONDITIONED") N/A SQ.FT. (W/OPT. PORCH/RECESS "CONDITIONED")	
CMH MANUFACTURING	Model #: GRA28643A Date: 1/11/22 Scale: N/A
Product Designer: E HARDWICK	37M200 28 X 64 Grand Living
SHEARWALL PAGE	



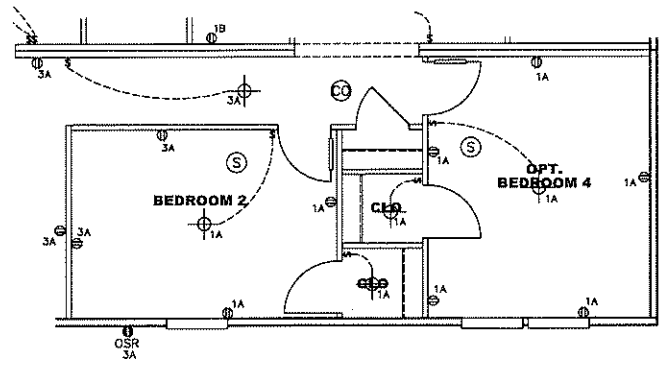
BATH OPT.



BATH OPT. 2



OPT OPT OPT



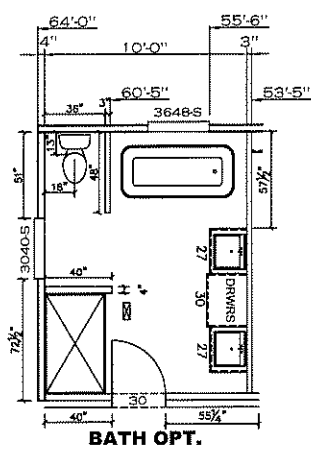
APPROVED **HWG** **APPROVED**
 REVISED
 15 JUN 2022
 FP-28-5496
 Federal Manufactured
 Home Construction
 And Safety Standards

- NOTES:
- ALL CIRCUITS SHOWN ARE FOR REFERENCE AND MAY BE CHANGED BASED ON OPTIONAL COMPONENTS INSTALLED IN THE HOME.
 - REFER TO DAPIA MANUAL FOR SYMBOL CHART.
 - EITHER LIGHT OR RECEPTACLE MUST CONNECT TO SWITCH.
 - EF-1= 50 CFM EXHAUST FAN REQUIRED FOR THERMAL ZONE III THERMAL ZONES I & II MAY USE FAN OR WINDOW W/1.5 SQ. FT. OPENABLE GLASS.
 - EF-2= 50 CFM EXHAUST FAN REQUIRED THERMAL ZONE I, II, AND III.
 - EF-3= 100 CFM RANGE EXHAUST FAN, SWITCH AT HOOD.
 - EF-4= WHOLE HOUSE VENTILATION REQUIREMENTS PER DAPIA MANUAL.
 - REFER TO DAPIA MANUAL OR THE MFG. INSTALLATION INSTRUCTIONS FOR PROPER WIRE SIZE AND BREAKER SIZE FOR SPECIFIC APPLIANCE AND MODEL BEING INSTALLED.
 - ALL SMOKE ALARMS TO BE LOCATED ON THE CEILING.
 - CARBON MONOXIDE ALARMS ARE ONLY REQUIRED WHEN HOME HAS EITHER FUEL BURNING APPLIANCES, IS GARAGE READY OR IS BASEMENT READY. REFERENCE DAPIA MANUAL FOR ADDITIONAL INFORMATION.
 - DIMENSIONS SHOWN ON PRINT ARE APPROXIMATE AND TO BE USED ONLY AS A GUIDELINE.

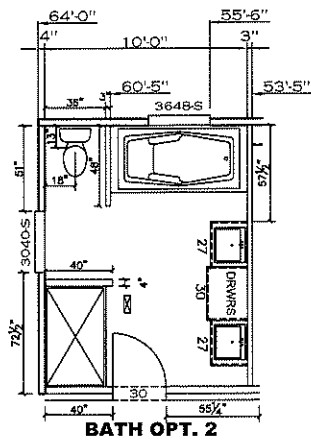
CIRCUIT	CIRCUIT #	WIRE	BREAKER	CIRCUIT	CIRCUIT #	WIRE	BREAKER	CIRCUIT	CIRCUIT #	WIRE	BREAKER
LIGHT/RECEP	1A,B,3A,B,14A,B	14-2	15-SP	WATER HEATER	4A,6B	SEE NOTE #B		BATHROOM	16A	12-2	20-SP
KITCHEN/DINING	2A,2B	12-2	20-SP	RANGE	5B,7A	SEE NOTE #B		OPT G/DISP	9B	SEE NOTE #B	
WASHER	12A	12-2	20-SP	OPT GAS RANGE	15B	SEE NOTE #B		OPT SPA/HP/JAC	11A,B	SEE NOTE #B	
DRYER	5A,7B	SEE NOTE #B		FURNACE	6A,6A,B,10A,B	SEE NOTE #B		FREEZER	13A	SEE NOTE #B	
				OPT D/WASH	9A	SEE NOTE #B					
				SMOKE ALARM	4B	SEE NOTE #B					

1749 SQ.FT. (STD PLAN "CONDITIONED")
 N/A SQ.FT. (W/OPT. PORCH/RECESS "CONDITIONED")

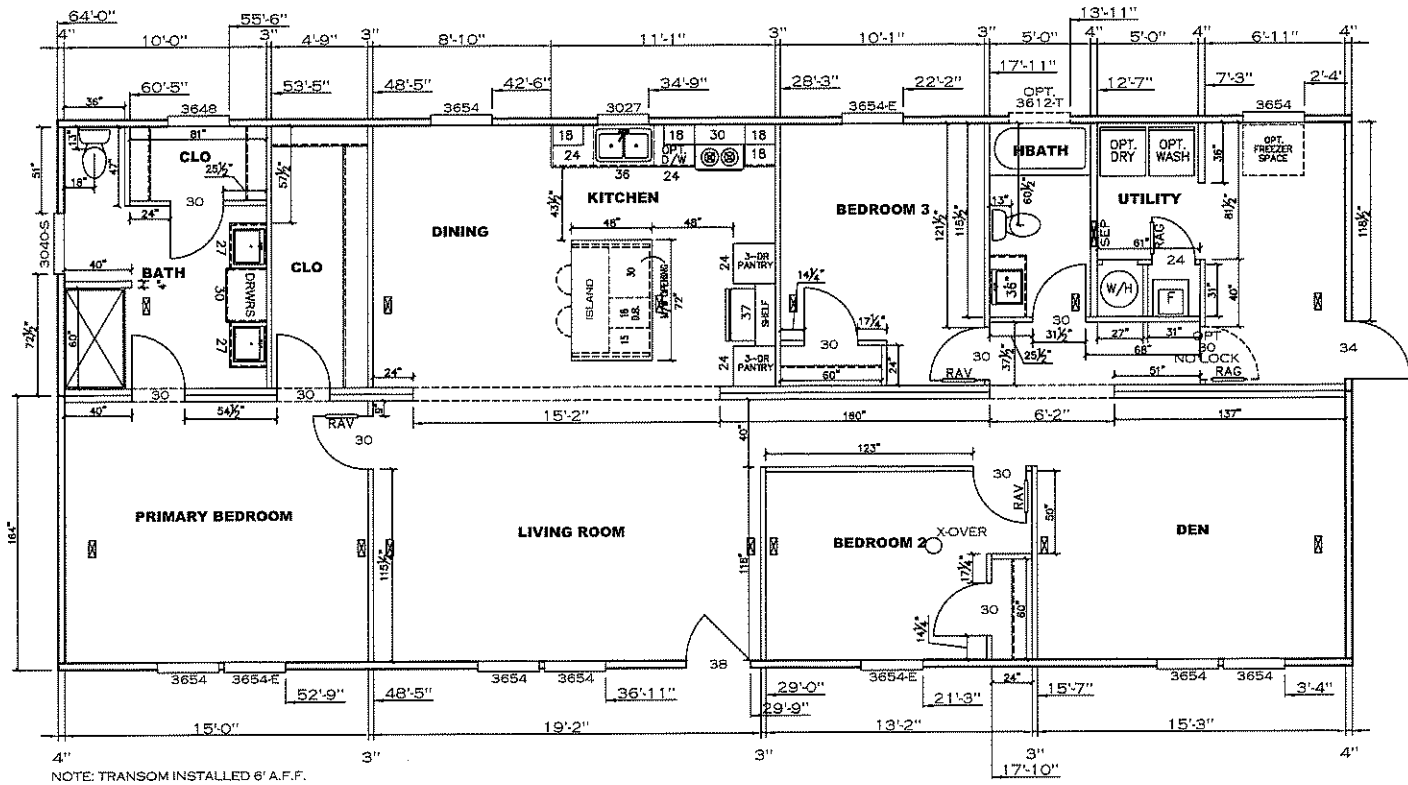
CMH MANUFACTURING	Model #: GRA28643A	Drawing #:
	Date: 11/1/22 Scale: NA	37M200
Product Designer: F HARDWICK	28 X 64 Grand Living	
ELECTRICAL PLAN-06		



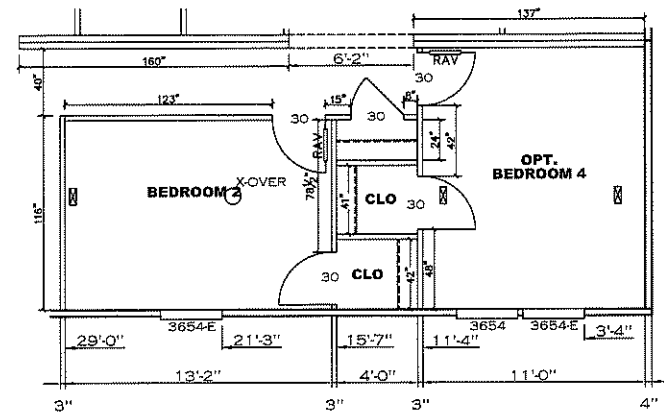
BATH OPT. 1



BATH OPT. 2



NOTE: TRANSOM INSTALLED 6' A.F.F.



1749 SQ.FT. (STD PLAN "CONDITIONED")		N/A SQ.FT. (W/OPT. PORCH/RECESS "CONDITIONED")	
Model #: GRA28643A	Drawing #:	37M200	
MANUFACTURING	Date: 1/11/22	Scale: N/A	
Product Designer: E HARDWICK		28 X 64 Grand Living	
FLOOR PLAN			

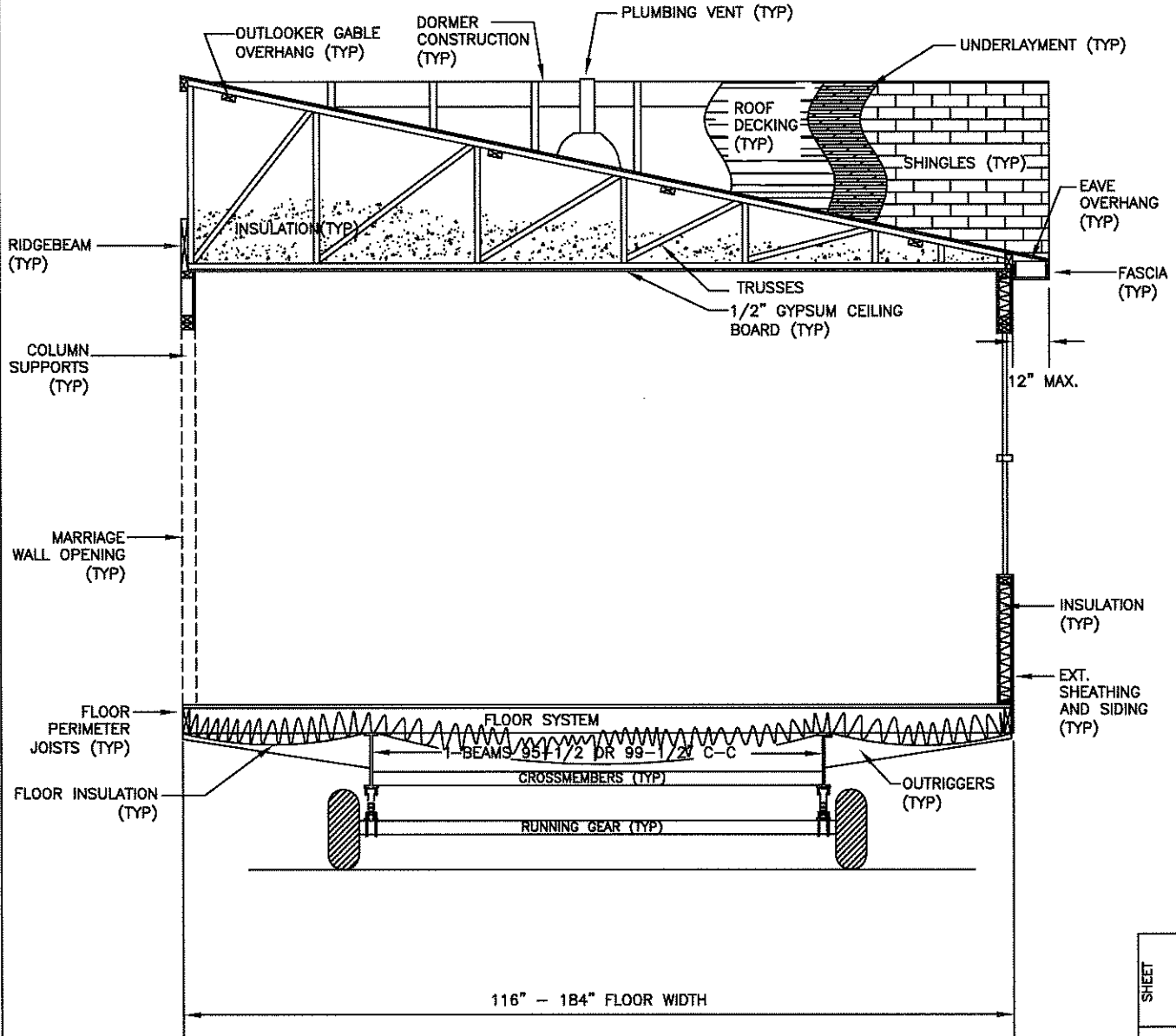
CMH MANUFACTURING, INC.

Home Office
 5000 Clayton Road, Maryville, TN 37804
 PH: 865.380.3000 FAX: 865.380.3781

APPROVAL STAMP

TITLE
**DOUBLE WIDE
 CROSS-SECTION**

BY JGM	DATE 11/19/14	CHECKED	DATE
-----------	------------------	---------	------



CROSS-SECTION ^{NTS}

DWG NO. XS-1.01
 SHEET
 REV --