

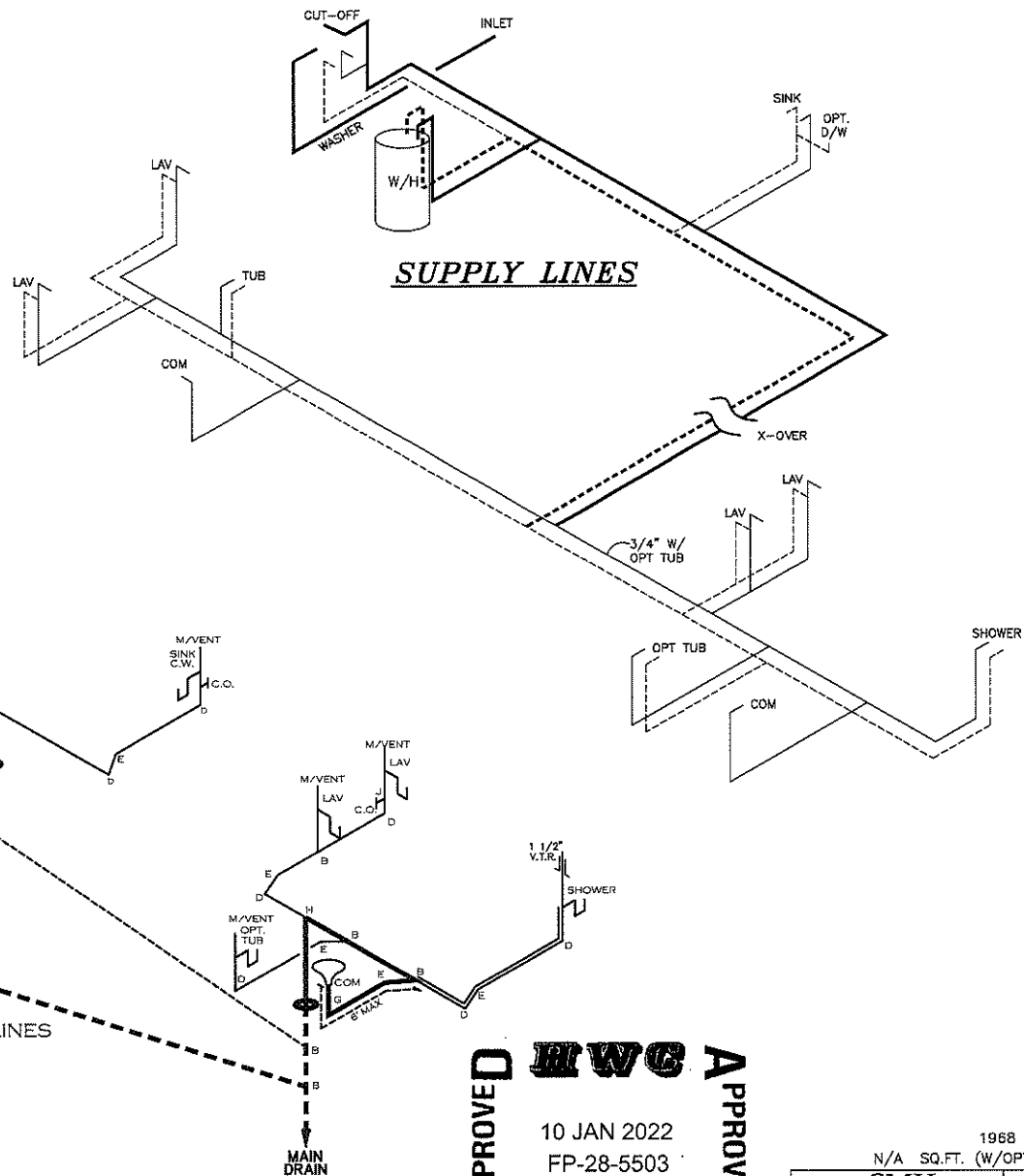
NOTE: TRANSOMS INSTALLED 6' A.F.F.

1530 SQ.FT. (STD PLAN "CONDITIONED")
 N/A SQ.FT. (W/OPT. PORCH/RECESS "CONDITIONED")

CMH MANUFACTURING	Model #: ANN28563B	Drawing #:
	Date: 3/25/22	Scale: N/A
Product Designer: E HARDWICK		28' x 56' Anniversary 56
FLOOR PLAN		

NOTE: DASHED LINES INDICATE HOT WATER
SOLID LINES INDICATE COLD WATER

— = 3/4"
— = 1/2"



SUPPLY LINES

D.W.V. LINES

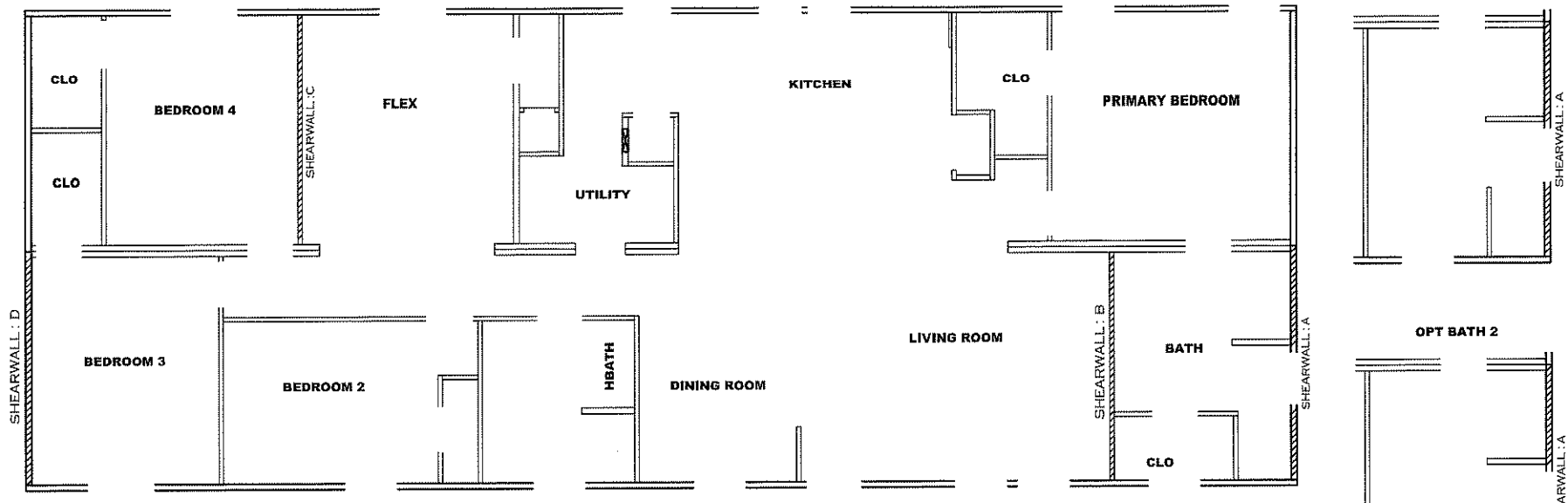
MAIN DRAIN

LEGEND	
A	SHORT TURN T-Y
B	LONG TURN T-Y
C	1/4 BEND
D	LONG SWEEP 1/4 BEND
E	45 ELL
F	DBL. SANITARY TEE
G	4x3 CLOSET ELL
H	DOUBLE ELL
I	22 1/2" ELL
J	45 Y
K	LONG TURN STREET ELBOW
L	45 FTG ELL

D.W.V. LINE SIZE CHART	
—	= 3"
—	= 2"
—	= 1 1/2"

APPROVED **HWC** **APPROVED**
 10 JAN 2022
 FP-28-5503
 Federal Manufactured
 Home Construction
 And Safety Standards

1968 SQ.FT. (STD PLAN "CONDITIONED")	
N/A SQ.FT. (W/OPT. PORCH/RECESS "CONDITIONED")	
CMH MANUFACTURING	Model #: ISB26724B Date: 1/28/22 Scale: N/A
Product Designer: E HARDWICK	37M203 Drawing #:
28 X 72 Homestead Breeze	
D.W.V. and Supply Lines	



Model # 37M203 Minimum Joist Spacing 16"

Box Width = 164" Double wide No Offset Box
 Box Length = 72 ft. 95.5" 12" MIN. IBEAM No Clerestory
 No Skylights No Origami Dormer
 No Porches No Sunken Floor
 Joist Size = #2 spf 2x6 Lags 9Mx3" No Parapet Roof

Version R13.19

Wind Zone 1 Standard Roof Ceiling board only (162 plf) Chords: 2x4 SPF Stud Top Plate & 1x3 SPF Rail. Each spliced w/2x4 MCP. 96 inch sidewall

Shearwall	Dist./ Hitch	Length	PLF	# of Joists	Lags	Notes	SW1/SW2
A	0'	123.5"	162	2	1/1	Split Shearwall	51/72.5
B	10.46'	128"	162	2	2/1		
C	56.42'	140"	162	2	2/1		
D	72'	36"	162	2	1/1		

Wind Zone 2 Standard Roof (3/8" sheathing only with 15 gax 1.5" at 5"/10" oc. (197 plf) Chords: 2x4 SPF Stud Top Plate & 1x3 SPF Rail. Each spliced w/2x4 MCP. 96 inch sidewall

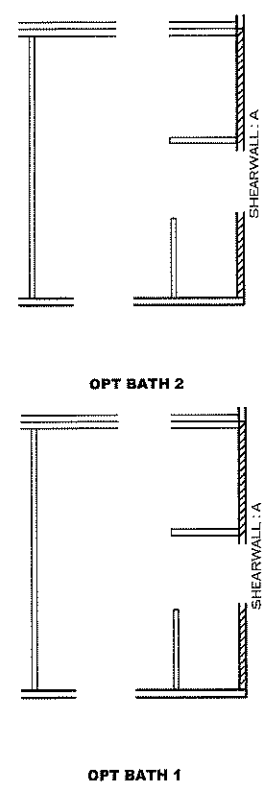
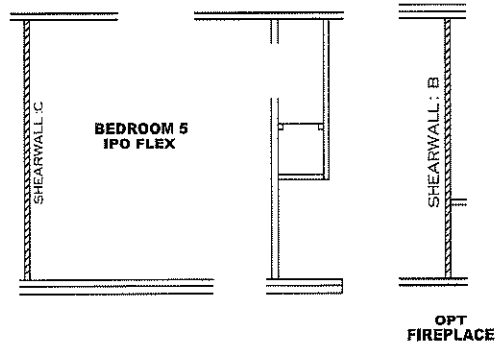
Shearwall	Dist./ Hitch	Length	PLF	# of Joists	Lags	Notes	SW1/SW2
A	0'	123.5"	162	2	1/1	Split Shearwall	51/72.5
B	10.46'	128"	425	2	4/1		
C	56.42'	136"	425	2	5/2		
D	72'	92"	162	2	1/1		

Wind Zone 3 Standard Roof (3/8" sheathing only with 15 gax 1.5" at 5"/10" oc. (197 plf) Chords: 2x4 SPF Stud Top Plate & 1x3 SPF Rail. Each spliced w/2x4 MCP. 96 inch sidewall

Shearwall	Dist./ Hitch	Length	PLF	# of Joists	Lags	Notes	SW1/SW2
A	0'	123.5"	162	2	1/1	Split Shearwall	51/72.5
B	10.46'	Full	425	2	3/3		
C	56.42'	Full	515	2	4/4		
D	72'	112"	162	2	2/1		

Wind Zone 1 Standard Roof (3/8" sheathing only with 15 gax 1.5" at 5"/10" oc. (197 plf) Chords: 2x4 SPF Stud Top Plate & 1x3 SPF Rail. Each spliced w/2x4 MCP. 96 inch sidewall

Shearwall	Dist./ Hitch	Length	PLF	# of Joists	Lags	Notes	SW1/SW2
A	0'	123.5"	425	4	4/4	Split Shearwall	51/72.5
D	72'	Full	162	2	2/2		



APPROVED **IWGC** **APPROVED**

10 JAN 2022
 FP-28-5503

Federal Manufactured Home Construction And Safety Standards

1968 SQ.FT. (STD PLAN "CONDITIONED")
 N/A SQ.FT. (W/OPT. PORCH/RECESS "CONDITIONED")

CMH MANUFACTURING	Model #: 15B28724B	Drawing #:
	Date: 1/27/2021	Scale: N/A
Product Designer: E HARDWICK		28 X 72 Homestead Breeze

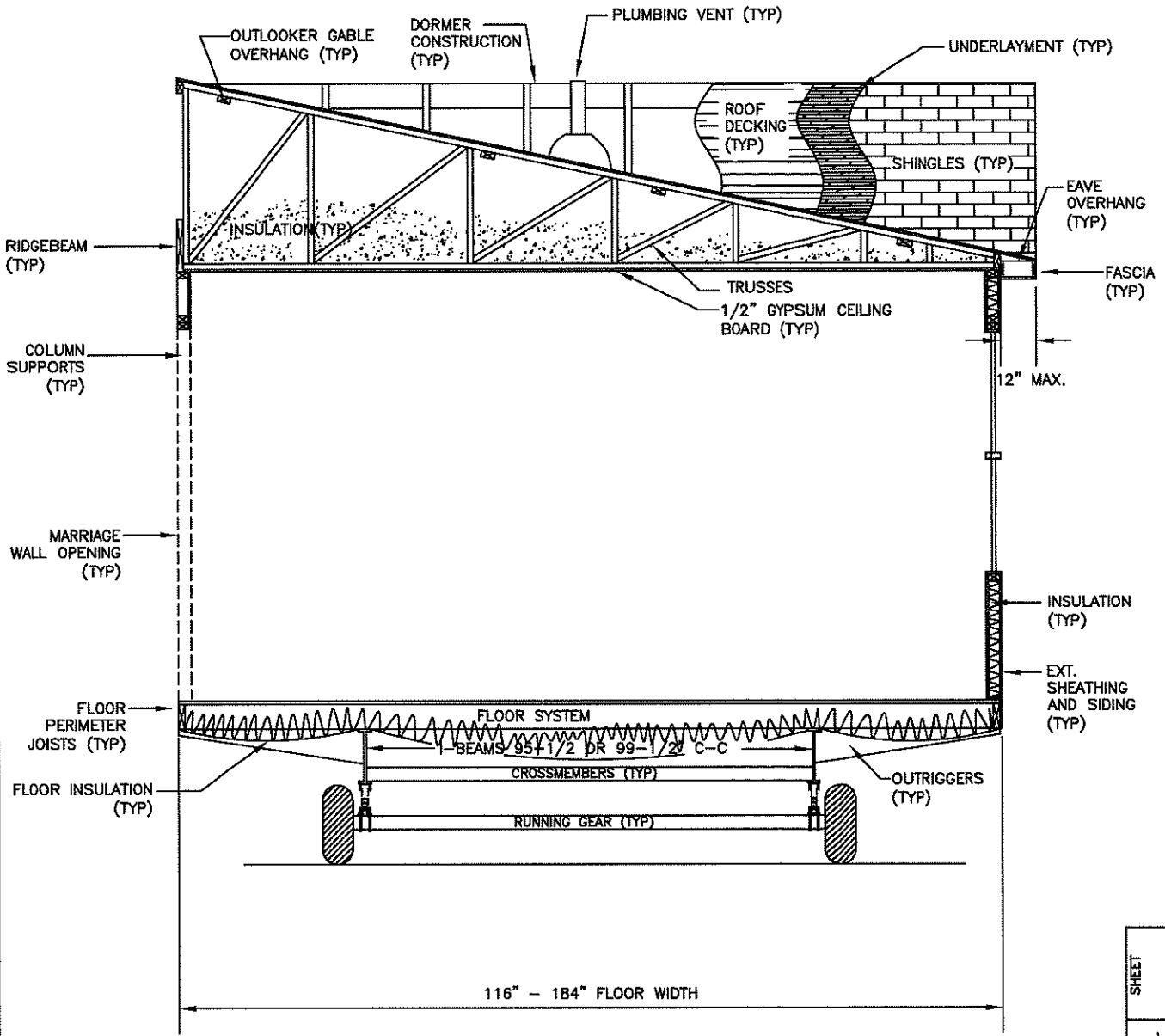
SHEARWALL PAGE

CMH MANUFACTURING, INC.
 Home Office
 5000 Clayton Road, Maryville, TN 37804
 PH: 865.380.3000 FAX: 865.380.3781

APPROVAL STAMP

TITLE
 DOUBLE WIDE
 CROSS-SECTION

BY	DATE	CHECKED	DATE
JGM	11/19/14		



CROSS-SECTION^{NTS}

DWG NO. XS-1.01
 REV --
 SHEET